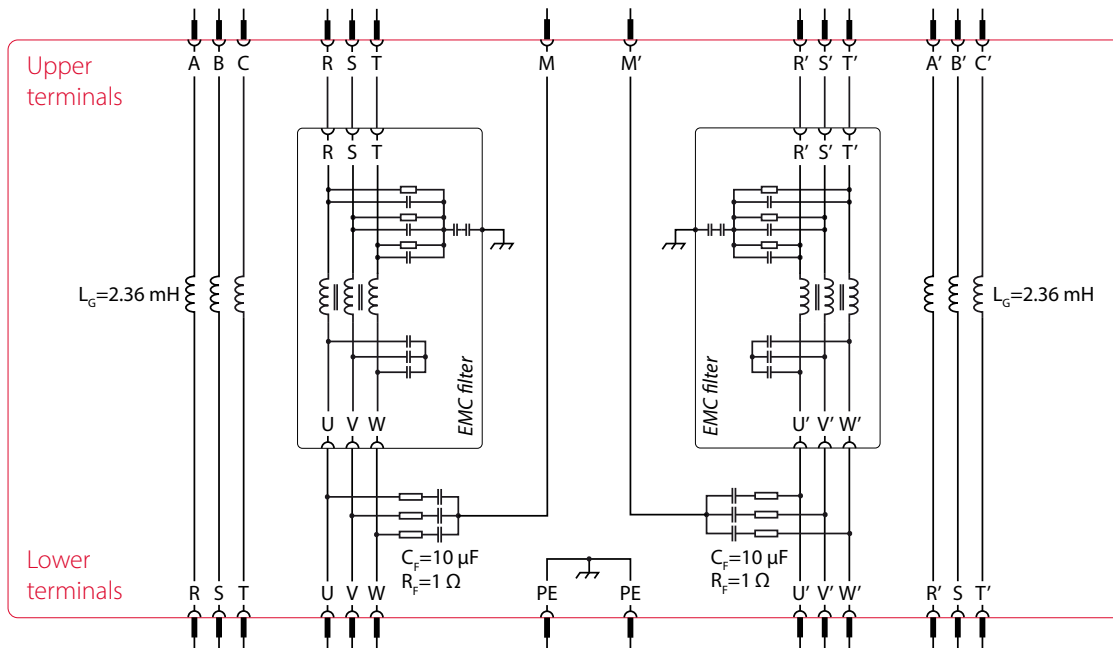




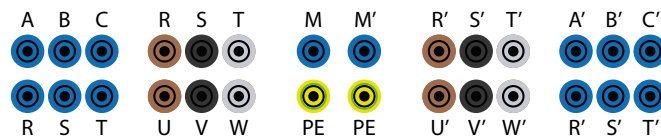
**PRODUCT PROPERTIES**

Designation	Manufacturer	Part Number	Quantity
<b>A</b> RatiopacPRO Air RACK	Schroff	24572-676	1
<b>B</b> AC/DC converter 35W	Delta Electronics	PMT-12V35W1AA	1
<b>C</b> Power receptacle	Schurter Inc.	KM00.1205.11	1
<b>D</b> Cooling controller	CZB	CZB 672 1960	1
<b>E</b> Fuse	Bel Fuse Inc.	5HF 250-R	1
<b>F</b> Fan	Orion Fans	OD7020-12HHB10A	3
<b>G</b> Inductor 2.36mH ±15% 20A	Hahn	V23105	6
<b>H</b> EMC filter	Schaffner EMC Inc.	FN3025HP-20-71	2
<b>I</b> Resistor 1 OHM 25W	Ohmite	HS25 1R0J	6
<b>J</b> Film capacitor	Arcotronics / KEMET	C274AC35100SA0J	6

## ELECTRICAL SCHEMATICS



## REAR CONNECTORS



Connector type: 4 mm safety plug

## MAIN ELECTRICAL SPECIFICATIONS

Characteristic	Test conditions	Min.	Typ.	Max.	Unit
Operating AC voltage	Line-to-line		400	480	V (rms)
Operating AC current	Phase			20	A (rms)
Total inductance	Differential mode		2.36		mH
Output filter capacitance	$C_f$		10		$\mu F$
Output filter resistance	$R_f$		1		$\Omega$

## USE CASE EXAMPLE

