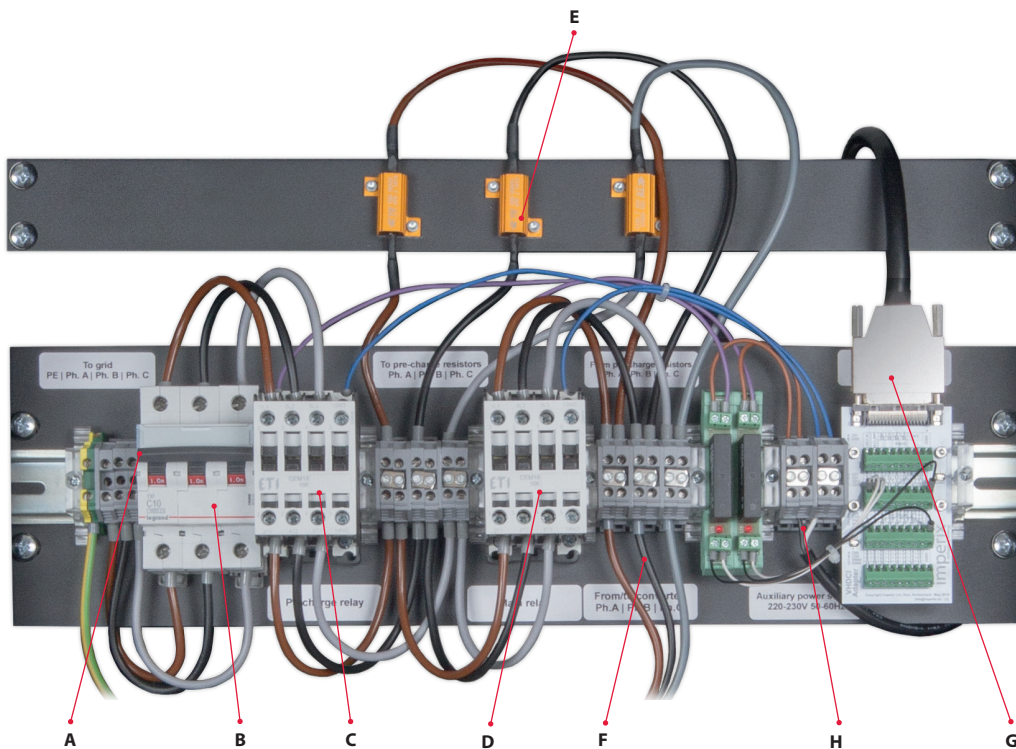


PRODUCT COMPONENTS

Description	Description
A From grid	E Precharge resistors
B Circuit breaker	F To converter
C Precharge relay	G From B-Box GPO (VHDCI breakout)
D Bypass relay	H Aux. power sup. (~ 220-230V, 50Hz)*

* ~ 110V - 60Hz version available upon request



ELECTRIC SCHEMATIC

